

:
.
-
- -
2006/10/5 : 2006/7/15 :
:
Activity-Based Costing (ABC)
(51)
(ABC)
)
(
(ABC)
:
:
(ABC)
(ABC)

The Availability of the Main Fundamentals to Implementing Activity Based Costing System (ABC)

on Industrial Companies in the Gaza Strip: A field Study

Abstract: This study aimed at the recognition throughout the availability of the factors of the application of the Activity-Based Costing (ABC) system in industry companies' environment in Gaza Strip. The study was based on a questionnaire, which was distributed to the study community. This is composed of all Industrial Companies which was (51).

The study results have showed that the main factors for the application of the system (ABC) are available at the Palestinian companies in Gaza Strip, and consequently all suggested factors (management attitudes, a diversity and the complication of the therapeutic services, the availability of accounting systems, the sharp competition degree, the diversity of supporting activities, and depression of the companies' ability to explain its profit) are true and present actually in the practical reality, that represent an infrastructure for the application of (ABC) system in those companies.

The study concluded to several importing recommendations: first, the establishment of independent departments of the cost accounting in the

Palestinian companies and supporting it by the qualified human resources. Second, the adopting of the implementation (ABC) system because it offers a more accurate cost data, and helps in the field of planning, and control , and facilitate good decision-making. Finally, the gradual turning towards the application of (ABC) system step by step, so as it should begin with a department, and ends with the whole company.

:

Activity-Based Costing(ABC)

(ABC)

(Cooper and kaplan, 1987)

.(2004)

" : (ABC)

.(Cooper, 1990, b) "

(ABC)

(ABC)

(Johnson and Kaplan,1987)

(Drive Cost)

Non-Value-Added)

(Activity

.(King, 1991) (Value- Added Activity)

(Greene and Metwalli, 2001) (Nicholls, 1992)

(ABC)

(ABC)

(Friedman and Lyne, 1997)

(ABC)

(ABC)
(Swenson, 1995)

:

-1

(ABC)

(ABC)

-2

(ABC)

-3

(ABC)

:

(ABC)

-1

(ABC)

-2

:

(ABC)

(ABC)

-(ABC) " : (2005) (1)
."

(ABC) : (ABC)

(ABC) :

(ABC) :

(ABC) :

:

Excel

Oracle
" : (2002) (2)
."

(ABC)

.(ABC)

(40) (%10) :
: .(ABC)

(ABC)

:

:

.(ABC) : . : .(ABC)
:(ABC) " : (2002) (3)
." : (ABC)

(ABC)

(ABC) :
(62 %14)
(%41)
: . (%25)
: .(ABC)

." " : (2001) (4)
(ABC)

(ABC)

.(ABC)

(ABC)

:

: .

: .

: .

: .

.

:

: .

: .

(ABC)

.

":

(1998

)

(7)

."

(ABC)

.

(ABC)

(ABC)

:

: .

: .

.

:

: .(ABC)

(ABC)

(ABC) .(Brausch, 1992)

(ABC) .(Sievanen and Tornber , 2002)

(ABC) .(Lawson, 1994)

.(Harr, 1990)

(ABC)

":

."(ABC)

:

(ABC)

(Distorts)

(ABC)

.(Hobdy et al., 1994)

(ABC)

(ABC)

:

:

(ABC)

(Jeans

and Morrow, 1989)

(ABC)

(1994)

:

:

.(ABC)

(1997)

(20 :2002) .

(Grandlich, 2004)

(ABC)

:

:

.(ABC)

.(1997)

James and Canby,)

(ABC)

:

.(1995

(ABC)

:

(ABC)

.(1994)

(ABC) (Kaplan, 1992)
(%50)
(...)
:
:
.(ABC)
)
(1998)
:
(ABC)
:
.(ABC)
(ABC)
:
:(ABC)
(Aiyathurai,) (ABC)
:1991
Activity Management (AM) :
(Value Chain)
:

-1

.(Just-In-Time, JIT)

-2

Activity Cost Accounting (ACA)

:

:(Minimized)

-1

-2

Activity-Based Costing (ABC)

:

:(ABC)

(%25)

(%50)

.(Needles, 1999: 45)

:(2002) (ABC)

:

()

:

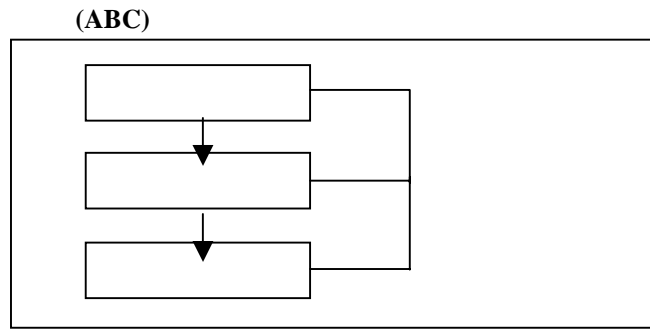
)

(

(ABC)

.(1)

(1)



(ABC)

(66 : 2002)

(ABC)

(Turney and Stratton, 1992)

(Cost view)

()

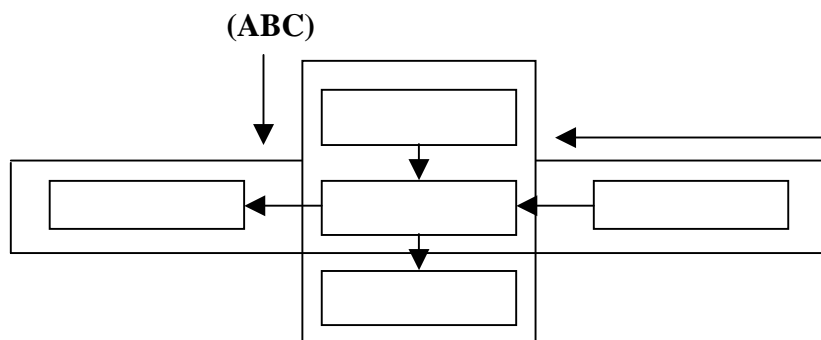
Process

)

(view

. (2)

(2)



(ABC)

(Turney and Stratton, 1992: 47) :

	:(ABC)	
()	(ABC)	
(Turney and Stratton, 1992)		
: (Hilton, 2005) (1998)		
(ABC)		-1
		-2
		-3
		-4
	(ABC)	-5
(ABB)		
	(ABC)	-6
	(ABC)	-7

(ABC) -8

(ABC) -9

(ABC)

(ABC)

:

-1

(Upda, 1996)

-2

(Cooper and Kaplan, 1988)

(ABC)

-3

:

:

(1999) (Cooper and Kaplan, 1988)

(ABC)

-4

(Nicholls, 1992)

(ABC) -5

:

(34 :2004)

(238 :2002)

(ABC) -6

(Harr, 1990)

(1994)

(ABC) -7

Merchant and)

(Shields, 1993

(ABC) -8

(1999)

-9

(1994)

(ABC)

:(ABC)

(ABC)

:

	(ABC)	-1
	.(Christensen and Sharp, 1993)	
	(ABC)	-2
	.(Johnson, 1988)	
	(ABC)	-3
	.(1999) ()	
:	(ABC)	-4
	.(Roth and Borthick, 1989)	
	.(3)	
	(ABC)	-5
	.(1999)	
	(ABC)	
	.(Garrison and Noreen, 2003: 339)	
	()	
	(ABC)	-6
	(PiperandWalley,1991)	
	.(Garrison and Noreen, 2003: 339) (Johnson,1992)	
		-7
	.(Sievanen and Tornberg, 2002)	
	(ABC)	
:	(ABC)	
	:Cost Allocation	-1

			.
	.(1995)		
(ABC)	:Pricing Product or Service		-2
		.(Cooper and Kaplan, 1992)	
(ABC)	:Assisting in Decision Making		-3
		.(1995) (1992)	
(ABC)	:Cost Reduction		-4
	.(Harr, 1990)		
		.(Nicholls, 1992)	
(ABC)	:Budgeting Development		-5
		.(Innes and Mitchell, 1997)	
	:Designing New Products or Services		-6
		(ABC)	
(1992)			
		.(1995)	
(ABC)	:Customer Profitability Analysis		-7
		.(Cooper and Kaplan, 1998)	
-	(ABC)	:Performance Measurement	-8
	:		-
		.(Ostrenga, 1990)	

Gering,)

(ABC)

.(1999

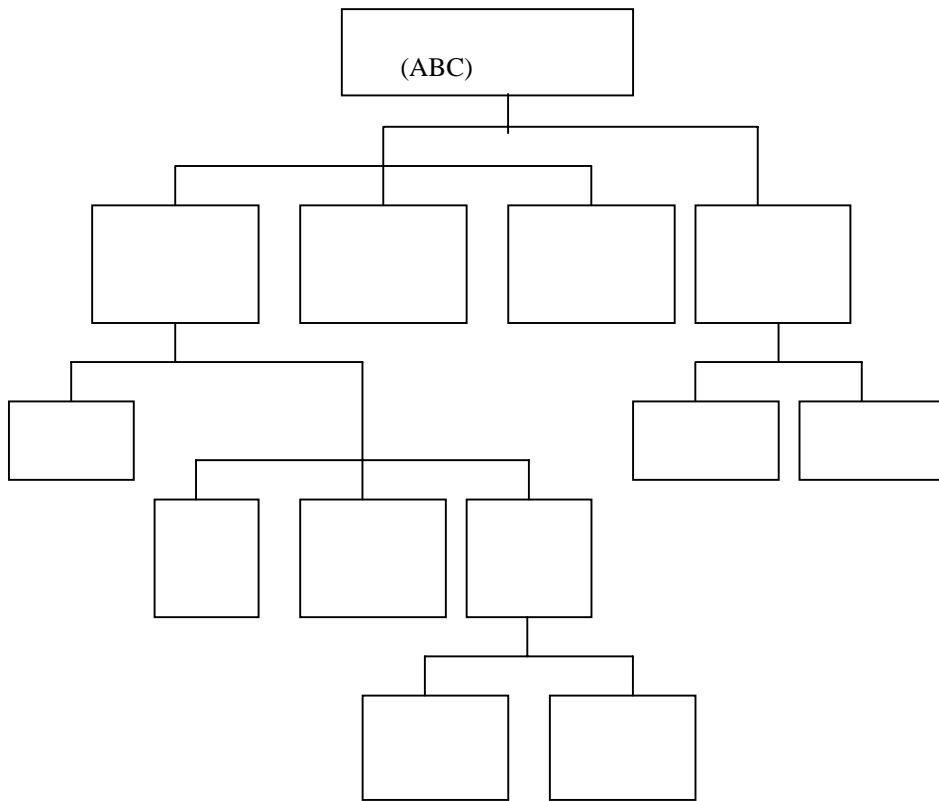
(58 :2004)

.(3)

(ABC)

(3)

(ABC)



(58 :2004) :

(ABC)

: (Brewer, 1998) (Estrin, et al., 1994) (Cooper, 1991)

-1

-2

-3

-4

-5

(%10) (%40)
 .(Needles, 1999: 45) (%50) (%25)
 -6

-7

-8

-9

-10

.(1997)
(ABC)
 (ABC)
 :(Cooper, 1990, b)
 :
 -1

_____ =

: -4

(ABC)

(ABC)

(ABC) " (Kaplan, 1992)

"

(ABC)

(1999)

:

: -1

:)

(ABC)

.(

(ABC)

: -2

: -3

:Activities Determination

(ABC)

"

"

...

Atkinson, et)

:(190 :2002) (al., 1997: 44-45

:Input Activities -1

:

:Processing Activities -2

:

:Output Activities -3

:

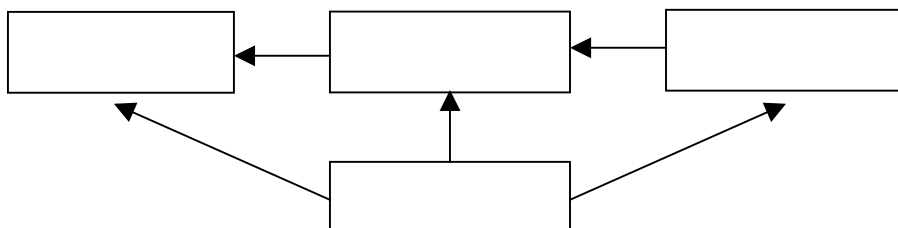
:Administrative Activities -4

:

.(Atkinson, et al., 1997: 45)

(4)

(4)



(Atkinson, et al., 1997: 45) :

(Hierarchies of Activities)

((Atkinson , et al. , 1997 : 98) (Garrison and Noreen , 2003 :223-334)
: (Hilton , 2005:172-173)

:Unit-Level Activities -1

:

:

:Batch-Level Activities -2

(Setup) : (1000 10)

:Product-Sustaining-Level Activities -3

:

:Facility-Sustaining-Level Activities -4

:

(Common Cost)

			(Period Costs)
		:Customer-Level Activities	-5
Sales)	:		(Calls
		100	:)
	.(
		:	
			-1
	:		*
		:	*
	.(ABC)		
			-2
(51)			
			2005
			-3
	.(ABC)		

Kolmogorov-Smirnov (K-S)

-7

(Kolmogorov-Smirnov, K-S)

(K-S) (1) .
 : (K-S) .
 : (H₀)
 : (H₁)
 (%5) (Alpha)
 (H₀)
 .(H₁)

(1)

(K-S)

		Z	
	0.747	0.678	
	0.300	0.973	
	0.916	0.557	
	0.518	0.816	
	0.352	0.931	
	0.644	0.740	
	0.632	0.747	

(%60) (3)

(2) (One-Sample T-Test)

t

t

(H₀)

(H_a)

(H_a)

(H_o)

(2)

(One-Sample T-Test)

	Sig.	T			
	0.000	8.685	0.435	3.545	
	0.000	9.656	0.663	3.929	
	0.000	11.712	0.525	3.887	
	0.000	15.623	0.559	4.262	
	0.000	8.640	0.668	3.833	
	0.000	12.251	0.594	4.051	

.1.68

0.05

47

T

(ABC)

:

(12-6 4 1)

(3)

(ABC)

(ABC)

(ABC)

(ABC)

(ABC)

(ABC)

(ABC)

.(ABC)

(3)

t

8.685

t

%70.9

0.05 0.00 "47" 1.96
 (ABC)

(3)

t

:

(ABC)

	t			%	%	%	%	%		
0.000	3.938	73.3	3.67	6.3	12.5	14.6	41.7	25.0	(ABC)	1
0.642	468.	61.9	3.08	10.4	29.2	12.5	37.5	10.4	.(ABC)	2
0.056	1.961	65.8	3.29	4.2	20.8	25.0	41.7	8.3	.(ABC)	3
0.017	2.483	66.7	3.33	0.0	20.8	35.4	33.3	10.4	.(ABC)	4
0.241	1.188	62.9	3.15	0.0	22.9	45.8	25.0	6.3	(ABC)	5
0.000	3.853	72.1	3.60	4.2	12.5	22.9	39.6	20.8	(ABC)	6

0.000	4.456	72.1	3.60	0.0	16.7	20.8	47.9	14.6	(ABC)	7
0.000	7.000	77.5	3.88	0.0	8.3	18.8	50.0	22.9	(ABC)	8
0.000	4.604	73.8	3.69	0.0	18.8	16.7	41.7	22.9	(ABC)	9
0.001	3.571	70.8	3.54	2.1	18.8	18.8	43.8	16.7		10
0.000	9.940	28.9	4.15	0.0	4.2	12.5	47.9	35.4	(ABC)	11
0.000	3.947	71.3	3.56	2.1	12.5	29.2	39.6	16.7	(ABC)	12
0.000	8.685	70.9	3.55							

:

(ABC)

(4)

(ABC)

()

(ABC)

(ABC)

(ABC)

(ABC)

(ABC)

(4)

	t	9.656	t	%78.5
0.05	0.00		"47"	1.96

.(ABC)

(4)

t

:

(ABC)

	t			%	%	%	%	%		
0.000	5.419	73.8	3.69	0.0	12.5	20.8	52.1	14.6	()	13
									.(ABC)	
0.000	6.809	77.5	3.88	0.0	12.5	8.3	58.3	20.8		14
									.(ABC)	
0.000	5.127	76.6	3.83	0.0	21.3	6.4	40.4	31.9		15
									.(ABC)	
0.000	7.392	79.2	3.96	0.0	8.6	16.7	45.8	29.2		16

										.(ABC)	
0.000	10.731	83.3	4.17	0.0	4.2	8.3	54.2	33.3		.(ABC)	17
0.000	9.046	80.8	4.04	0.0	4.2	16.7	50.0	29.2		.(ABC)	18
0.000	9.656	78.5	3.929								

:

.(ABC)

(5)

(ABC)

(ABC)

(ABC)

(ABC)

(ABC)

(ABC)

.(ABC)

(5)

t

11.712

t

%77.7

0.05

0.00

"47"

1.96

.(ABC)

(5)

t

:

(ABC)

	t			%	%	%	%	%		
0.000	7.115	75.4	3.77	0.0	6.3	22.9	58.3	12.5	.(ABC)	19
0.000	5.454	76.7	3.83	2.1	10.4	20.8	35.4	32.3	.(ABC)	20
0.006	2.887	68.8	3.44	2.1	18.8	29.2	33.3	16.7	.(ABC)	21
0.000	7.384	76.3	3.81	0.0	6.3	20.8	58.3	14.6	.(ABC)	22

0.000	8.322	79.2	3.96	0.0	6.3	14.6	56.3	22.9		23
									.(ABC)	
0.000	6.539	80.4	4.02	4.2	6.3	12.5	37.5	39.6		24
									.(ABC)	
0.000	13.544	87.5	4.38	0.0	0.0	12.5	37.5	50.0		25
									.(ABC)	
0.000	11.712	77.7	3.887							

(ABC)

:

(6)

(ABC)

(ABC)

(ABC)

(ABC)

(6)

t

15.623

t

%85.3

0.05

0.00

"47"

1.96

(ABC)

(6)

t

:

(ABC)

	t			%	%	%	%	%		
0.000	9.963	85.8	4.29	0.0	4.2	16.7	25.0	54.2	(ABC)	26
0.000	7.510	80.0	4.00	0.0	8.3	16.7	41.7	33.3	(ABC)	27
0.000	15.858	87.9	4.40	0.0	0.0	6.3	47.9	45.8	(ABC)	28
0.000	14.619	88.8	4.44	0.0	2.1	4.2	41.7	52.1	(ABC)	29

0.000	10.793	83.8	4.19	0.0	0.0	20.8	39.6	39.6		30
0.000	15.623	85.3	4.262							

:

.(ABC)

(7)

..)

(ABC)

(

(ABC)

(ABC)

(ABC)

(7)

t

8.640

t

%76.7

0.05

0.00

"47"

1.96

.(ABC)

(7)

t

:

(ABC)

	t			%	%	%	%	%		
0.000	7.595	79.2	3.96	0.0	6.3	20.8	43.8	29.2) .. (. (ABC)	31
0.000	7.435	77.5	3.88	0.0	4.2	27.1	45.8	22.9	. (ABC)	32
0.000	5.755	75.4	3.77	0.0	14.6	12.5	54.2	18.8	. (ABC)	33
0.000	4.905	73.8	3.69	2.1	8.3	29.2	39.6	20.8		34

									.(ABC)	
0.000	7.207	77.5	3.88	0.0	6.3	22.9	47.9	22.9		35
0.000	8.640	76.7	3.833							

:

.(ABC)

(8)

()

(ABC)

(ABC)

()

(ABC)

()

()

(ABC)

(ABC)

(8)

t

12.251

t

%81.0

0.05

0.00

"47"

1.96

.(ABC)

(8)

t

:

(ABC)

	t			%	%	%	%	%		
0.000	5.794	76.7	3.83	0.0	12.5	20.8	37.5	29.2		36
0.000	5.054	75.4	3.77	2.1	12.5	18.8	39.6	27.1	(ABC) ()	37
0.000	13.559	84.2	4.21	0.0	0.0	16.7	52.1	31.3	() .(ABC)	38

0.000	11.609	82.9	4.15	0.0	0.0	16.7	52.1	31.3	(ABC)	39
0.000	8.207	82.9	4.15	2.1	4.2	14.6	35.4	43.8	()	40
0.000	7.392	79.2	3.96	0.0	10.4	10.4	52.1	27.1	() (ABC)	41
0.000	12.545	85.8	4.29	0.0	0.0	14.6	41.7	43.8	(ABC)	42
0.000	12.251	81.0	4.050							

	:	
(ABC)		-1
.	(ABC)	-2
.	(ABC)	-3
.(ABC)		-4
.	(ABC)	-5
.		(ABC)
		-6
.(ABC)	(ABC)	-7
.		
:		

(ABC) -1

(ABC) -2

(ABC) -3

(ABC) -4

(ABC) -5

(ABC) -6

(ABC) -7

(ABC) -8

(ABC)

(ABC)

		:	
	:(2001)		.1
	.(1999)		.2
		(ABC)	
		.343-287 (1) 23	
:	.(2) .	.(2004)	.3
-(ABC)		.(2005)	.4
		:	
	.(2002)		.5
		:	
		.(2002)	.6
	.228-213 (1) 29		
(ABC)		.(2000)	.7
	.421-373 (2) 22		
		.(1998)	.8
.232-191 (2) 35			
(86)23		.(2001)	.10
		.189-149	

		.(2002)	.11
.98-43 (1) 42			
	: .(1) .	.(2002)	.12
		.(1994)	.13
		.255-214 (9) 4	
		.(1997)	.14
	:	(ABC)	
		.510-494 (2) 24	
		.(1997)	.15
		.112-77 (2)11	
		.(2004)	.16
	:		
		.(1992)	.17
	.45-1 (1) 29		
	:(ABC)	.(2002)	.18
.114-87 (2)6			
		.(2004)	.19
41			
		.335-283 (1)	
		.(1995)	.20
.119-35 (48) 35			
	:		

1. Aiyathurai, Gerald, Cooper W. W. and Sinha, K. K. (1991). Note of Activity Accounting. Accounting Horizons, 5 (4), 60-68.
2. Atkinson, A., Banker, Rajiv D., Kaplan, Robert S. and Young, S. Mark. (1997). Management Accounting, (2nd ed.). New Jersey: Prentice-Hall.

3. Brewer, Peter C. (1998). National Culture and Activity-Based Costing Systems: a Note. *Management Accounting Research*, 9 (2), 241-260.
4. Brausch, John M. (1992). Selling ABC. *Management Accounting*, 73 (8), 42-46.
5. Christensen, L. and Sharp, D. (1993). How ABC Can Add Value to Decision Making. *Management Accounting*, May, 38-42.
6. Cooper, Robin. (1990, a). Explicating the logic of ABC. *Management Accounting*, Nov., 58-60.
7. Cooper, Robin. (1990, b). Five Steps to ABC System Design. *Accountancy*, Nov., 78-81.
8. Cooper, Robin. (1991). ABC: The Right Approach For You?. *Accountancy*, 107 (1169), 70-72.
9. Cooper, Robin and Kaplan, Robert, S. (1988). How Cost Accounting Distorts Product Costs. *Management Accounting*, 69 (10), 20-27.
10. Cooper, Robin and Kaplan, Robert, S. (1992). Activity-Based Systems: Measuring the Costs of Resource Usage. *Accounting Horizons*, 6 (3), 1-13.
11. Cooper, Robin and Kaplan, Robert, S. (1998). The Promise --and Peril-- of Integrated Cost Systems. *Harvard Business Review*, 76 (4), 109-120.
12. Estrin, T. L., Kantor, Jeffrey and Albers, David. (1994). Is ABC Suitable for your Company?. *Management Accounting*, 75 (10), 40-45.
13. Friedman, Andrew L. and Lyne, Stephen R. (1997). Activity-Based Costing Techniques and the Death of the Beancounter. *The European Accounting Review*, 6 (1), 19-44.
14. Garrison, Ray H. and Noreen, Eric W. (2003). *Managerial Accounting*, (10th ed.). New York : McGraw-Hill.
15. Gering, Michael. (1999). Activity-Bsaed Costing: Focussing on what Counts. *Management Accounting*, 77 (2), 20-21.
16. Grandlich, Chery. (2004). Using Activity-Bsaed Costing in Surgery. *Association of Operation Room Nurses*, 79 (1), 189-192.
17. Greene, Julie K. and Metwalli, Ali. (2001). The Impact of Activity-Based Cost Accounting on Health Care Capital Investment Decisions. *Journal of Health Care Finance*, 28 (2), 50-64.
18. Harr, David J. (1990). How Activity Accounting Work in Government. *Management Accounting*, 72 (3), 36-40.
19. Hilton , Ronald w. (2005) . *Managerial Accounting : Creating Value in Dynamic Business Environment* . (6th ed.). New York : McGraw-Hill.
20. Innes, John and Mitchell, Falconer.(1997).The Application of Activity-Bsaed Costing in the United Kingdom's Largest financial Institutions .*The Service Industries Journal*, 17 (1), 190-203.

21. James B., and Canby, IV. (1995). Applying Activity-Based Costing to Healthcare Settings. *Healthcare Financial Management*, 49 (2), 50-56.
22. Jeans, Mike and Morrow, Michael. (1989). The Practicalities of Using Activity-Based Costing. *Management Accounting*, 67 (10), 42-44.
23. Johnson, H. Thomas. (1988). Activity-Based Information: A Blueprint for World-Class Management Accounting. *Management Accounting*, June, 23-30.
24. Johnson, H. Thomas. (1992). It's Time to Stop Overselling Activity-Based Overselling Concepts. *Management Accounting*, Sep., 26-35.
25. Johnson, H. Thomas and Kaplan, Robert S. (1987). The Rise and Fall of Management Accounting [2], *Management Accounting*, 68 (7), 22-30.
26. Kaplan, Robert S. (1992). In Defense of Activity-Based Cost Management. *Management Accounting*, 74 (5), 58-63.
27. King, Alfred M. (1991). The Current Status of Activity-Based Costing: an Interview with Robin Cooper and Robert Kaplan. *Management Accounting*, 73 (3), 22-26.
28. Lawson Raef A.(1994) Activity-Based Costing Systems for Hospital Management. *Cost Management Accounting Magazine*, Jun,68(5),31-35.
29. Maher, Michael W., Stickney, Clyde P. and Weil, Roman L. (1997). *Managerial Accounting: an Introduction to Concepts, Methods and Uses*, (6th ed.). New York: The Dryden Press.
30. Merchant, Kenneth A. and Shields, Michael D. (1993). When and why to Measure Costs Less Accurately to Improve Decision Making. *Accounting Horizons*, 7 (2), 76-81.
31. Nicholls, Brent. (1992). ABC in the UK-Astute Report. *Management Accounting*, May., 22-28.
32. Needles, Blverd E., Powers M., Mills, Sherry K. and Anderson, Henry R.(1999).*Managerial Accounting*. (5th ed.). New York: Houghton Mifflin Company.
33. Ostrenga, Michael R. (1990). Activities: The Focal Point of Total Cost Management. *Management Accounting*, 71 (8), 42-49.
34. Roth, Harold, P., and Borthick, A., Faye. (1989). Getting Closer to Real Product Costs. *Management Accounting*, 70 (11), 28-33.
35. Sekaran, Uma. (2005). *Research Methods For Business With Spss 13.0 Set*, (4th ed.). New York: John Wiley and Sons.
36. Sievanen, Matti and Tornberg, Katja. (2002). Process-Based Costing: The Best of Activity-Based Costing. *AACE International Transactions, CSC*. (15), 1-6.

37. Swenson, Dan. (1995). The Benefits of Activity-Based Cost Management to the Manufacturing Industry. *Journal of Management Accounting Research*, 7, Fall, 167-180.
38. Turney, Peter B. and Stratton, Alan, J. (1992). Using Activity-Based Costing to Support Continuous Improvement. *Management Accounting*, 74 (3), 46-50.
39. Upda, Suneel. (1996). Activity-Based Costing for Hospitals. *Health Care Management Review*, 21(3), 83-96.